

Sight flow indicator

Special design with *Spray Washer*

regom
instruments

Bauform 880-I

Application:

Inside surface of the glass can be cleaned inside with the built-in spray head. There is a choice of two spray heads for both glass plates. For the cleaning medium the spray head connection is led to outside between the flanges which hold the glass plates.

Material:

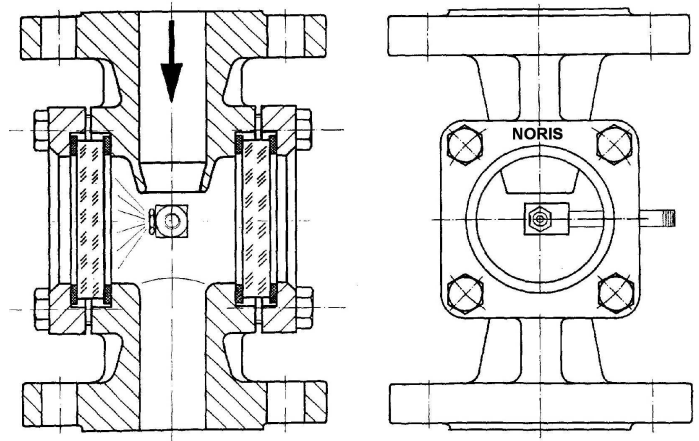
Steel	GS-C 25 (1.0619)
Stainless steel	WN 1.4408

Standard version:

One spray head for one side
Spray head in stainless steel
Spray connection: Tube G 1/4" with male thread

Special version:

Two spray heads, for both glass plates
Other spray connection: e.g. V-flanges



Modification reserved

REGOM INSTRUMENTS s.r.o.
Brabcova 1159 / 2
147 00 Praha 4
CZECH REPUBLIC

Tel: +420 241 402 206
Fax: +420 241 400 290
Mail: regom@regom.cz
Skype: regom-office
www.regom.cz

regom
instruments