

# Bleeding and Venting Valves

## Startup Bleeding and Venting Valves EB 3.51



For minimal closing pressure

### Technical Data

Connection DN	25 - 100
Nominal Pressure PN	16
Operating Pressure	up to 16 bar
Flow Rate	1070 Nm <sup>3</sup> /h
Temperature	80 °C
Medium	liquids

### Description

Bleeding and venting valves remove air or gases from systems or pipelines without requiring an external energy input. When a system is drained they act as venting valves.

Owing to their large seat cross section, the valves are suitable for discharging large air quantities at low pressures. They close when filled with the fluid. With the level falling, the valve will only open if the pressure is relieved simultaneously, it does not open under operating pressure.

EB 3.51 is a float-controlled start-up bleeding valve. It is completely made of deep-drawn stainless steel parts featuring excellent corrosion resistance. The float is exactly guided in the inlet connection. The valve seat is of the soft seal type. The minimum pressure for the valve seal amounts only 0,05 bar.

Top and bottom sections of the valve body are connected by a clamp ring and two bolts. Servicing/maintenance is easy and does not call for special tooling.

### Standard

- » All stainless steel construction
- » Degassing bend
- » Quick-release body clamp ring

### Options

- » Cap with insect protection
- » Outlet with flange connection

Operating instructions, know how and safety instructions must be observed. All the pressure has always been indicated as overpressure. We reserve the right to alter technical specifications without notice.



### Start-up Bleeding Air Flow Rate [Nm<sup>3</sup>/h] at 0 °C, 1013 mbar

Δp bar	nominal diameter DN						
	25	32	40	50	65	80	100
0.05	100	170	220	350	430	430	430
0.1	130	240	320	500	620	620	620
0.2	190	330	450	710	870	870	870
0.3	230	410	550	870	1070	1070	1070

### Venting Air Flow Rate [Nm<sup>3</sup>/h] at 0 °C, 1013 mbar

Δp bar	nominal diameter DN						
	25	32	40	50	65	80	100
0.1	130	220	300	470	580	580	580
0.2	170	300	400	630	780	780	780
0.3	200	340	460	720	900	900	900
0.4	210	360	490	770	950	950	950

# Bleeding and Venting Valves

## Startup Bleeding and Venting Valves EB 3.51

For minimal closing pressure



Materials	
Body	CrNiMo-steel
Body Sealing	EPDM
Internals	CrNiMo-steel
Float	CrNiMo-steel
Valve Seal	NBR
Profile Clamp	CrNiMo-steel

Dimensions [mm] with Degassing Bend							
size	nominal diameter DN						
	25	32	40	50	65	80	100
A*	300	301	303	300	296	300	300
AE	57	57	57	83	83	83	83
D	200	200	200	200	200	200	200
F	1 1/2	1 1/2	1 1/2	2 1/2	2 1/2	2 1/2	2 1/2

\* Overall length tolerances in acc. with DIN EN 558

Weights [kg] with Degassing Bend							
nominal diameter DN							
25	32	40	50	65	80	100	
5.1	5.7	6	6	5.4	7.4	7.9	

Dimensions [mm] with Protection Cap							
size	nominal diameter DN						
	25	32	40	50	65	80	100
A*	255	257	260	258	254	260	260
D	200	200	200	200	200	200	200

\* Overall length tolerances in acc. with DIN EN 558

Weights [kg] with Protection Cap							
nominal diameter DN							
25	32	40	50	65	80	100	
5.5	6.1	6.4	6.8	7.2	8.3	8.8	

Dimensions [mm] with outlet flange							
size	nominal diameter DN						
	25	32	40	50	65	80	100
A*	272	276	281	280	233	238	238
D	200	200	200	200	200	200	200

\* Overall length tolerances in acc. with DIN EN 558

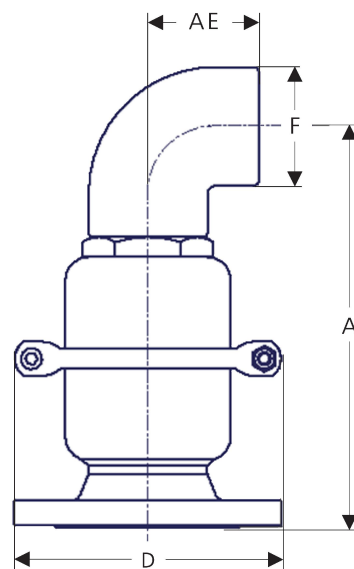
Weights [kg] with outlet flange							
nominal diameter DN							
25	32	40	50	65	80	100	
5,6	6,8	7,3	8,1	8,5	10,4	12,0	

Customs Tariff Number
84818059

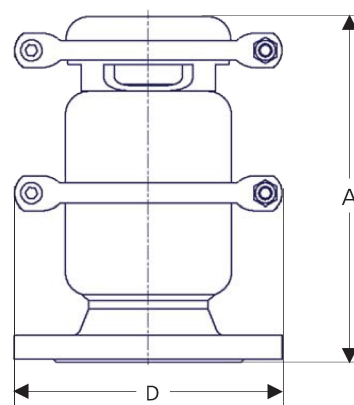
Special designs on request.  
The pressure has always been indicated as overpressure.  
Mankenberg reserves the right to alter or improve the designs or specifications of the products described herein without notice.

### Dimensional Drawing

degassing bend



protection cap



outlet flange

